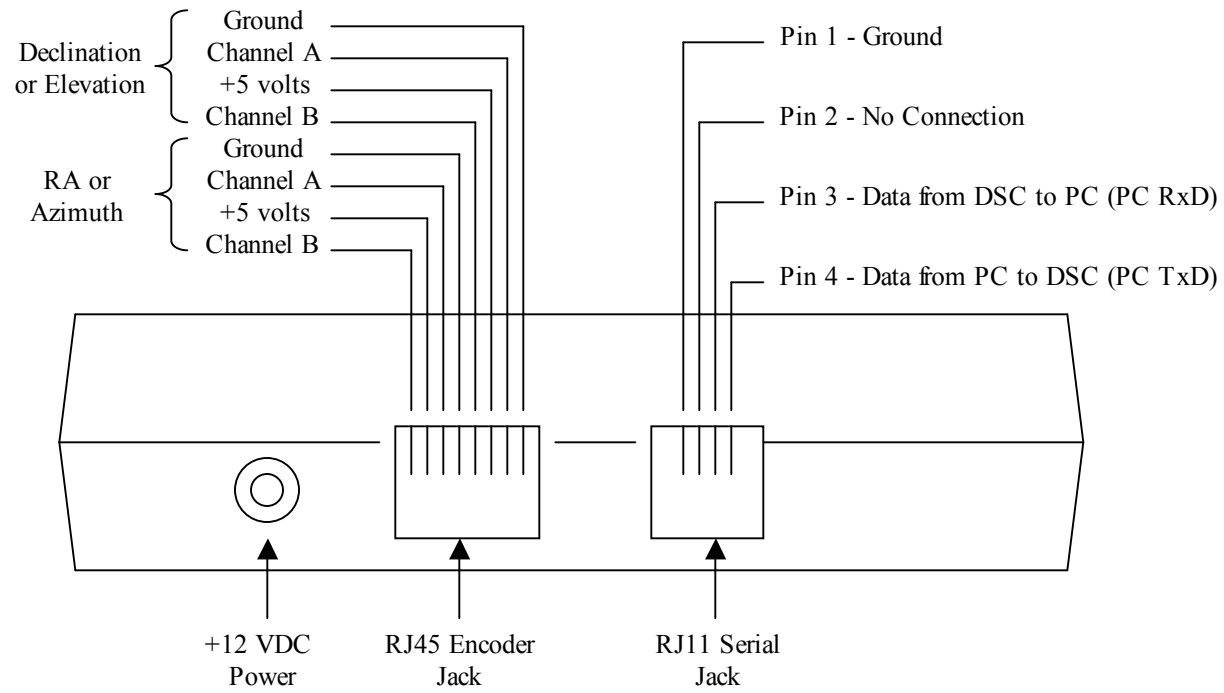


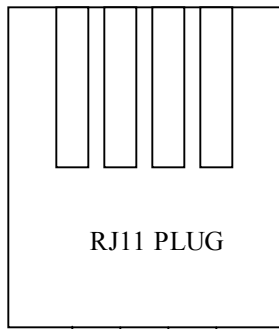
Sky Commander Rear Panel



Losmandy DSC Rear Panel

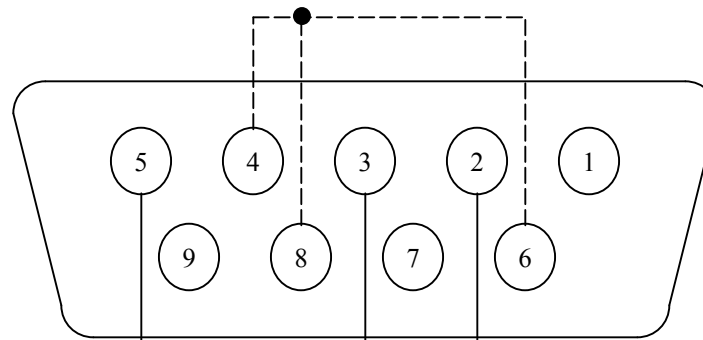
Sky Commander
pin numbering

1 2 3 4



(View of plug
from side that
shows gold
contacts,
not plastic clip
side)

Pin numbering of DB9 female connector
looking at end of plug that mates with
male DB9 on PC. This is standard
pin numbering.



4-wire telephone cable

NO CONNECT

Pins 4,6 and 8 *may* have to be
connected together as shown.
Try without first.

RS232 cable for Sky Commander or Losmandy DSC